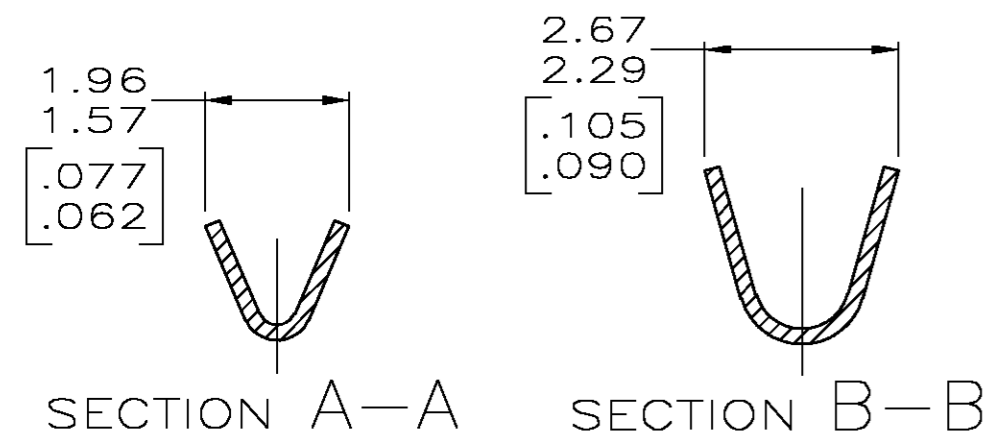
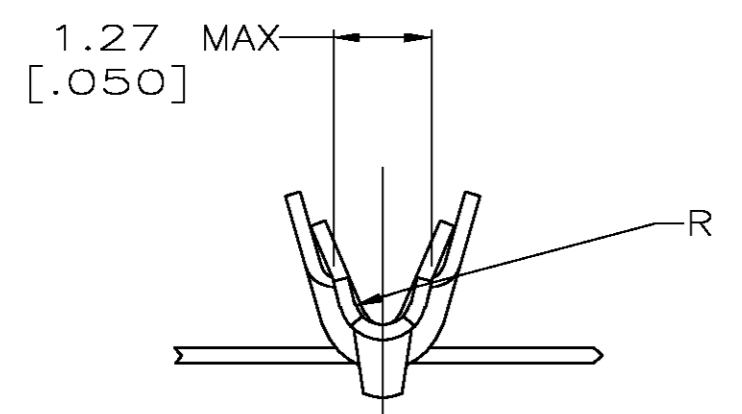
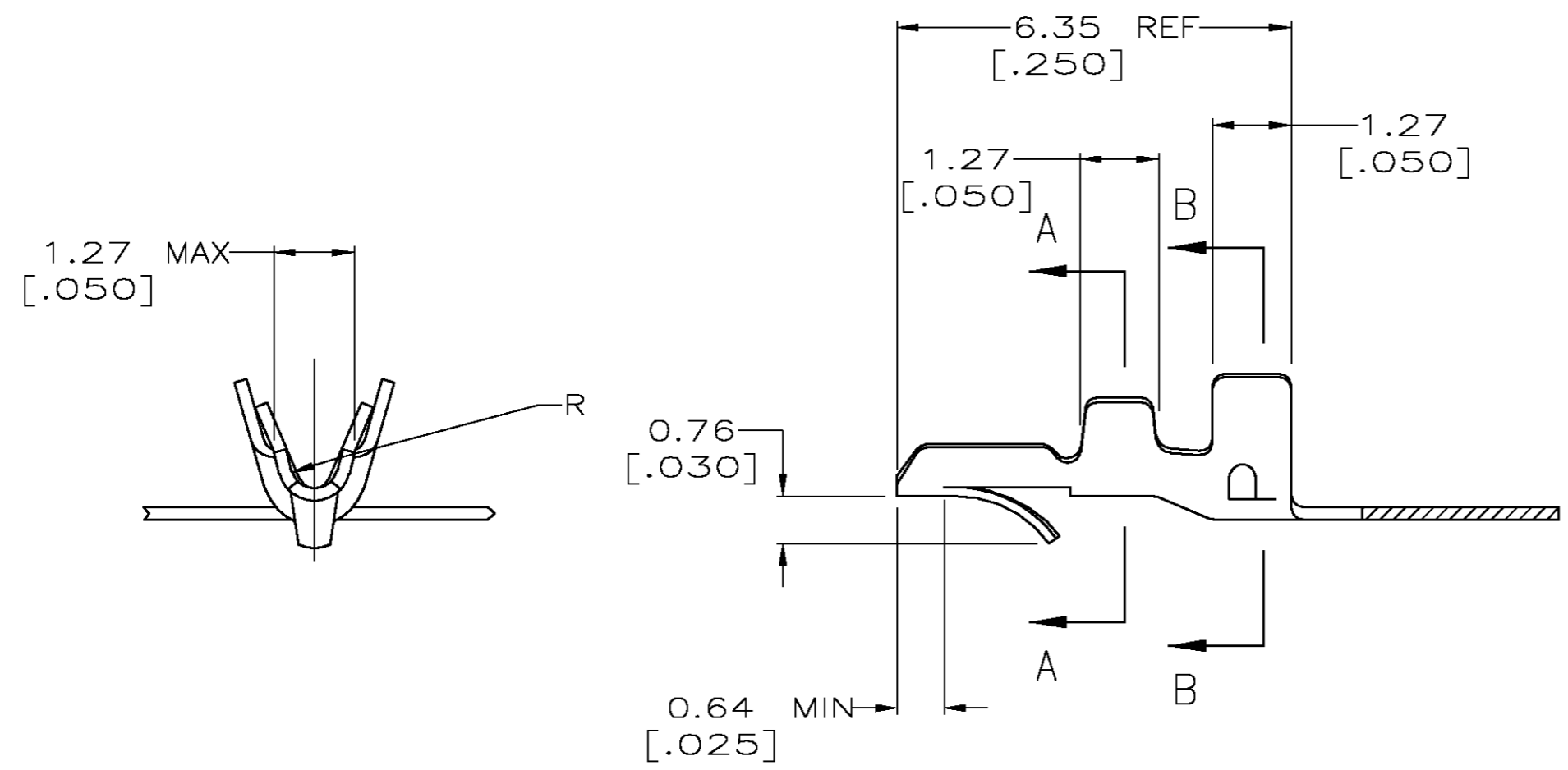
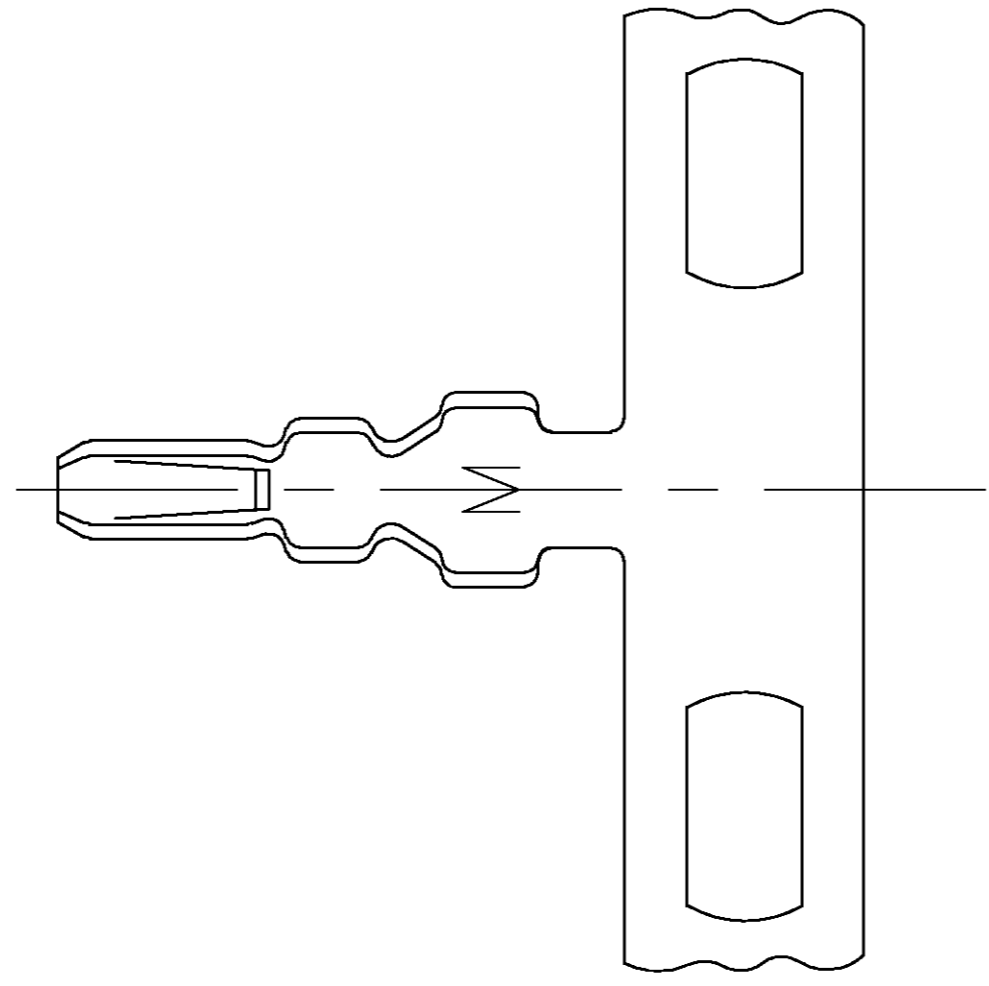
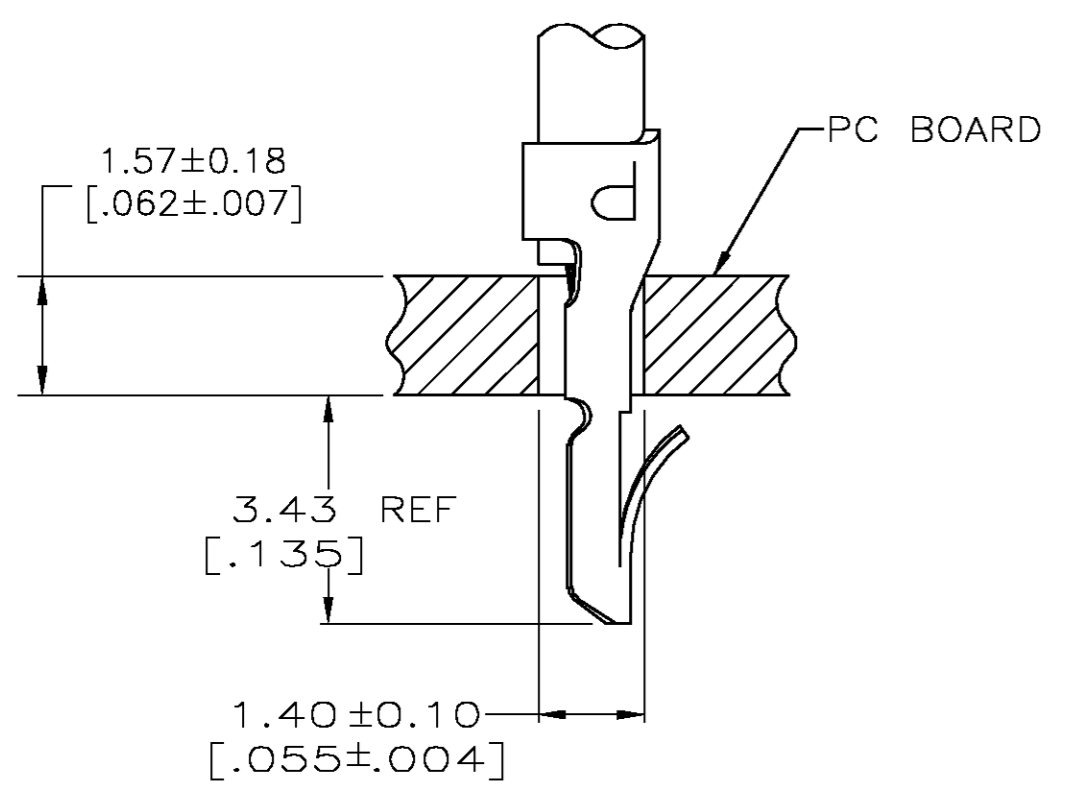


THIS DRAWING IS UNPUBLISHED. RELEASED FOR PUBLICATION
 © COPYRIGHT BY TYCO ELECTRONICS CORPORATION. ALL RIGHTS RESERVED.

LOC		DIST		REVISIONS			
CM	00	P	LTR	DESCRIPTION	DATE	DWN	APVD
		J		REV PER ECN 0G3B-03B3-03	21AUG03	SC	JE

- PARTS COMPLY WITH AMP SOLDERABILITY SPEC 109-11-3.
- PARTS CAPABLE OF BEING APPLIED BY AMPOMATER.
- 0.00508 [.000200] MIN BRIGHT TIN-LEAD.
- WIRE RANGE: 0.12 - 0.4 mm² (26 - 22 AWG).
- INSULATION RANGE: 1.02 - 1.78 [.040 - .070] DIA.
- DIMENSIONS IN BRACKETS ARE IN INCHES.
- 0.00508 [.000200] MIN BRIGHT TIN.



METRIC

7	0.20[.008] PH BRZ	3-640663-1
3	0.20[.008] PH BRZ	640663-1
FINISH	MATERIAL	PART NO

THIS DRAWING IS A CONTROLLED DOCUMENT.		DWN S. CARPENTER 21AUG2003	Tyco Electronics Corporation	
DIMENSIONS: INCHES		CHK J. ELLIS 21AUG2003	Harrisburg, PA 17105	
TOLERANCES UNLESS OTHERWISE SPECIFIED:		APVD J. ELLIS 21AUG2003	NAME MINI AMP-IN™	
0 PLC ±		PRODUCT SPEC	APPLICATION SPEC	
1 PLC ±		114-1016		
2 PLC ±		WEIGHT		
3 PLC ± 0.13 [.005]		A2 00779 C=640663		
4 PLC ±		CUSTOMER DRAWING		
ANGLES ±		SCALE 10:1 SHEET 1 OF 1 REV J		
FINISH		RESTRICTED TO		
SEE TABLE		-		

A/C BUSINESS GROUP 3323 177-34 RALPH VESTAL

640663